

# AHD Camera User Manual

## 1、 Introduction:

AHD camera is a new generation product which combine the current mainstream AHD/CVBS these two kinds of coaxial video signal with one .It can operate manually by OSD,switch any one of the two coaxial vedio signal,using with the AHD-DVR,better compatibility,perfect to enhance the customer's experience.

## 2、 Warning & Attention:

- (1) . Please don't open camera , it's with danger of electronic shock.
- (2) . Don't touch Sensor or lens.
- (3) . Make camera away from violent attack.
- (4) . Don't use any unidentified power supply.
- (5) . Make camera lens away from strong light.
- (6) . Avoid installation in unstable places (shake, wet,high temperature,Cold, etc).
- (7) . Avoid operation out of the following conditions,temperature:  
-20°C ~ +50°C, RH85% Max.



**WARNING**

Please don't open camera, it's with danger of electronic shock.

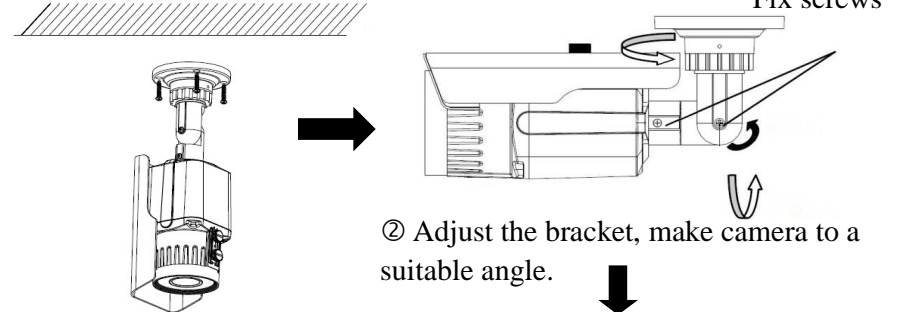


### Attention:

To reduce the danger of electronic shock, please don't open the case (or back cover) of camera; everything is on the surface of camera for user operation, please seek help from qualified professionals for repair.

## 3、 Installation:

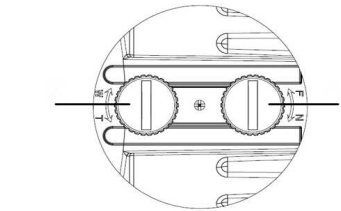
### 3.1 Waterproof Camera installation:



① Wall mount bracket plate.

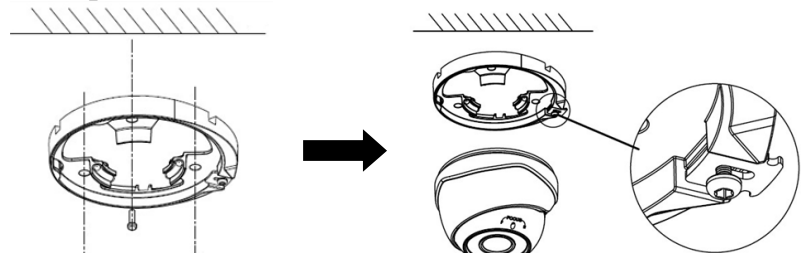
② Adjust the bracket, make camera to a suitable angle.

**Note: If camera without varifocal lens, ignore the step-3 and step-4.**



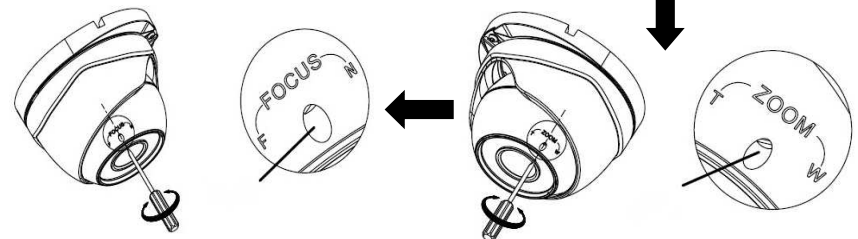
③ Adjust the zoom & focus.

### 3.2 Hemisphere machine installation:



① Wall mount base plate

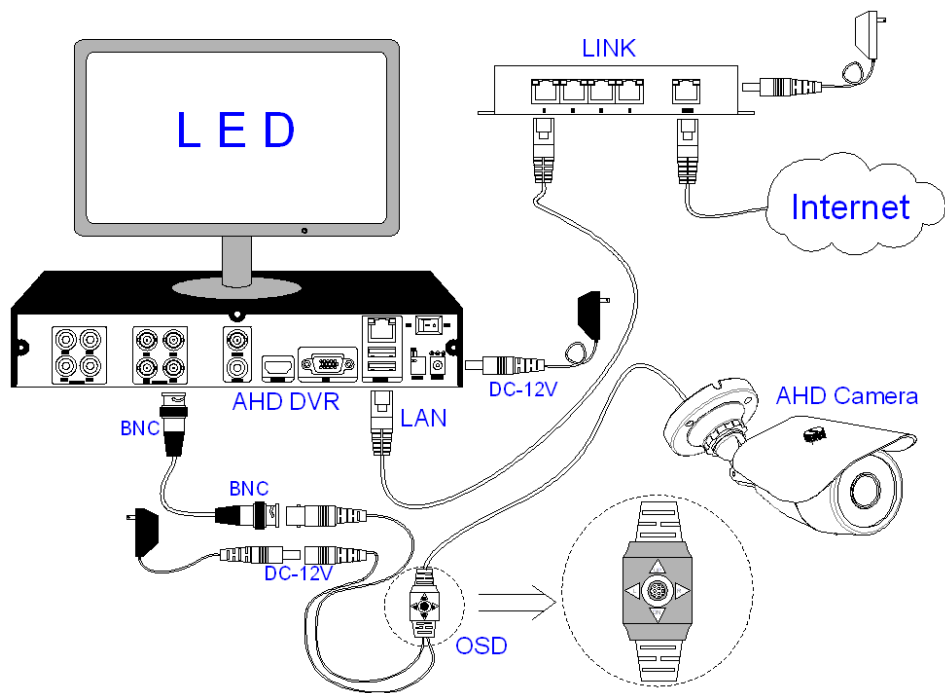
② Install the shell and adjust the camera angle.



④ Adjust the focus

③ Adjust the zoom

#### 4、 Connection sketch

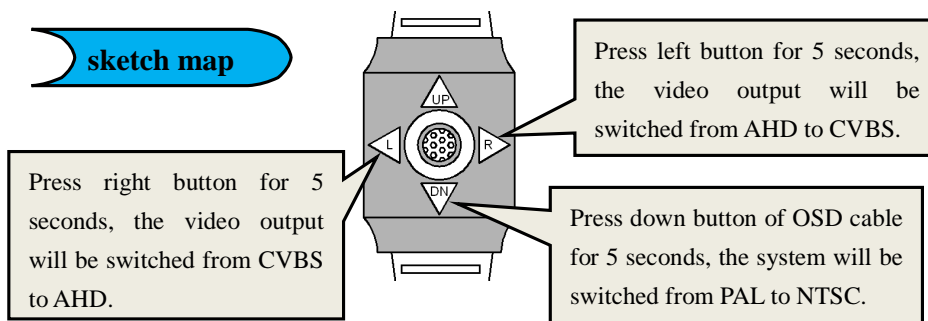


#### 5、 Operation guide:

##### AHD/CVBS/Video Signal Switch

- (1) PAL/NTSC: press down button of OSD cable for 5 seconds, the system will be switched from PAL to NTSC (the default is PAL), Re-press the down button for 5 seconds again, the system will be changed from NTSC to PAL.
- (2) Press left button for 5 seconds, the video output will be switched from AHD to CVBS(the default output is AHD)
- (3) CVBS/AHD: press right button for 5 seconds, the video output will be switched from CVBS to AHD.

##### sketch map



#### 6、 Specifications:

| Ideal lens match (1/3"sensor chipset about filming ) |  |                    |                     |      |      |
|--|--|--------------------|---------------------|------|------|
| Lens   | 3.6mm  | 6mm                | 8mm                 | 12mm | 16mm |
| Angle of view(HOR)                                   | 80°  | 53°                | 40°                 | 25°  | 20°  |
| Monitor the distance                                 | 6m   | 10m                | 20m                 | 35m  | 50m  |
| Technology specifications                            |  |                    |                     |      |      |
| Effective pixels                                     | 1.0M pixels  | 1.3M pixels        | 2.0M pixels         |      |      |
| Image Sensor   | 1/4"cmos sensor  | 1/3"cmos sensor    | 1/3"cmos sensor     |      |      |
| Image System   | PAL/NTSC (switched by OSD)   |                    |                     |      |      |
| Resolution   | 1280 (H) × 720 (V)   | 1280 (H) × 960 (V) | 1920 (H) × 1080 (V) |      |      |
| Video out  | AHD720P&960H   | AHD960P&960H       | AHD1080P&960H       |      |      |
| Day-night mode                                       | EXT (Default) /Auto/Color/White&Black (switched by OSD)  |                    |                     |      |      |
| S/N Ratio  | ≥69dB  | ≥44dB              | ≥41dB               |      |      |
| Min. illumination                                    | 0.01UX   |                    |                     |      |      |
| AES  | AUTO/1/50 (1/60) -1/50, 000sec   |                    |                     |      |      |
| Advanced Function                                    | 2D_DNR & 3D_DNR (BD3016 only 2D_DNR)   |                    |                     |      |      |
| AWB/BLC  | AUTO   |                    |                     |      |      |
| OSD language (12)                                    | English/German/French/Italian/Spanish/Polish/Russian/Portuguese/Dutch/Turkish/Simplified Chinese/Traditional Chinese |                    |                     |      |      |
| Video space (3.6 lens)                               | 1H≈900MB   | 1H≈1.0GB           | 1H≈1.25GB           |      |      |
| Working Environment                                  | -20℃--50℃; Humidity 95%  |                    |                     |      |      |
| Power supply   | DC12V ± 15%  |                    |                     |      |      |